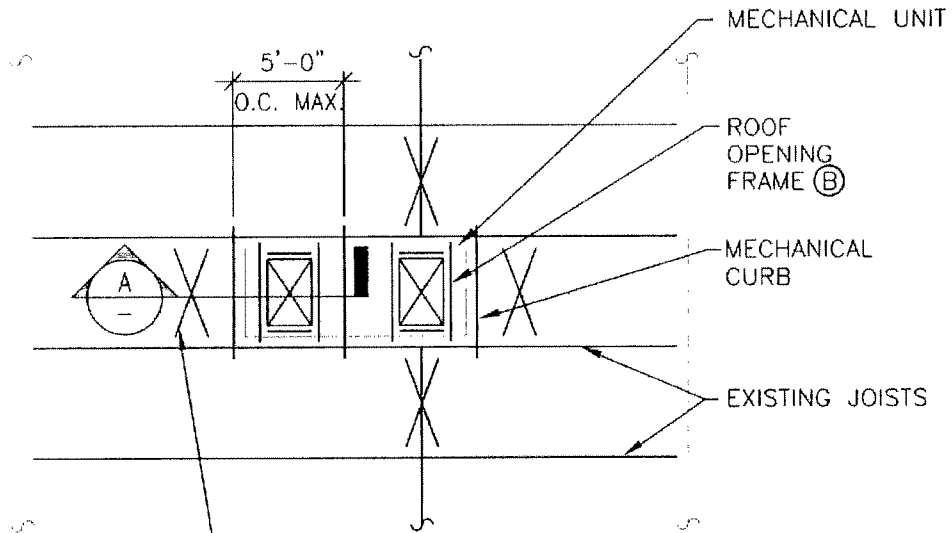


Bulletin 1

(10/9/07)

Generic Detail for the RTU Opening Framing

Attached are the generic details for the RTU opening framing for all buildings at Pier Park. These details are being provided as a guide only. Your registered architect or engineer must verify and seal the drawings and details.



NOTE: IF BRIDGING IS CUT BY DUCT OPENING ADD ADJACENT X BRIDGING TO REPLACE TYPICAL.

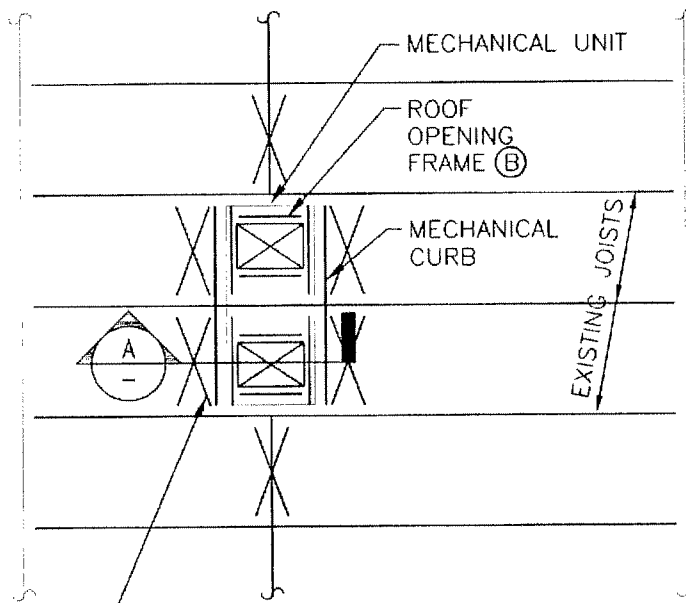
ROOF PLAN A

TYPICAL ROOF TOP EQUIPMENT SUPPORT DETAILS AND ROOF OPENINGS FRAMING.

NOTES:

1. MECHANICAL CURB SHALL BE STRUCTURALLY ADEQUATE TO TRANSFER VERTICAL AND LATERAL LOADS TO THE ROOF JOISTS AND INSTALLED PER CURB MANUFACTURER RECOMMENDATIONS
2. MECHANICAL EQUIPMENT SHALL BE LOCATED IN THE DESIGNATED AREA STATED ON THE STRUCTURAL DRAWINGS. THE WEIGHT OF MECHANICAL EQUIPMENT SHALL NOT EXCEED THE DESIGNED CAPACITY OF EXISTING STRUCTURAL FRAMING AND SHALL BE APPROVED BY A STRUCTURAL ENGINEER.
3. THESE DETAILS ARE BEING PROVIDED AS A GUIDE. YOUR REGISTERED ARCHITECT OR ENGINEER MUST VERIFY AND SEAL THE DRAWINGS AND DETAILS.

S-1	SHEET	DRAWING	DATE	PROJECT	PIER PARK PANAMA CITY BEACH, FL. 32401	MANUAL COMP			
							REV	BY	DATE



NOTE: IF BRIDGING IS CUT BY DUCT OPENING ADD ADJACENT X BRIDGING TO REPLACE TYPICAL.

ROOF PLAN B

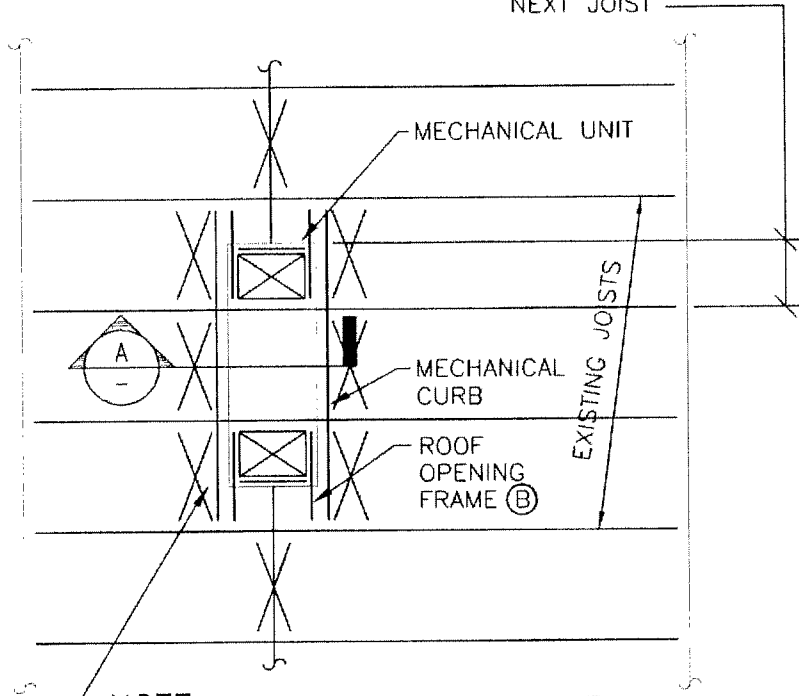
TYPICAL ROOF TOP EQUIPMENT SUPPORT DETAILS AND ROOF OPENINGS FRAMING.

NOTES:

1. MECHANICAL CURB SHALL BE STRUCTURALLY ADEQUATE TO TRANSFER VERTICAL AND LATERAL LOADS TO THE ROOF JOISTS AND INSTALLED PER CURB MANUFACTURER RECOMMENDATIONS
2. MECHANICAL EQUIPMENT SHALL BE LOCATED IN THE DESIGNATED AREA STATED ON THE STRUCTURAL DRAWINGS. THE WEIGHT OF MECHANICAL EQUIPMENT SHALL NOT EXCEED THE DESIGNED CAPACITY OF EXISTING STRUCTURAL FRAMING AND SHALL BE APPROVED BY A STRUCTURAL ENGINEER.
3. THESE DETAILS ARE BEING PROVIDED AS A GUIDE. YOUR REGISTERED ARCHITECT OR ENGINEER MUST VERIFY AND SEAL THE DRAWINGS AND DETAILS.

S-2	DRAWING TITLE	SCALE	DATE	PROJECT	PIER PARK PANAMA CITY BEACH, FL. 32401	MANUAL COMP				
							REV	BY	DATE	DESCRIPTION

WHEN RTU OVERHANG
EXCEEDS 1'-0", EXTEND
MECHANICAL CURB TO
NEXT JOIST



NOTE: IF BRIDGING IS CUT BY DUCT
OPENING ADD ADJACENT X BRIDGING
TO REPLACE TYPICAL.

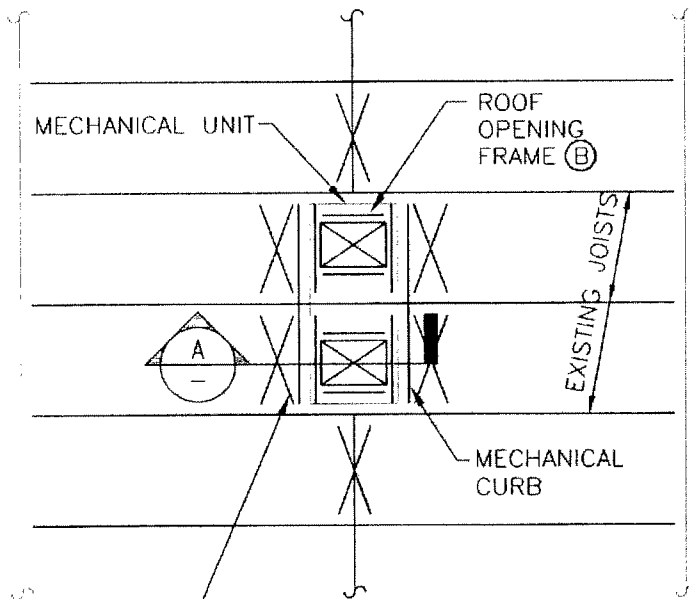
ROOF PLAN C

TYPICAL ROOF TOP EQUIPMENT SUPPORT DETAILS
AND ROOF OPENINGS FRAMING.

NOTES:

1. MECHANICAL CURB SHALL BE STRUCTURALLY ADEQUATE TO TRANSFER VERTICAL AND LATERAL LOADS TO THE ROOF JOISTS AND INSTALLED PER CURB MANUFACTURER RECOMMENDATIONS
2. MECHANICAL EQUIPMENT SHALL BE LOCATED IN THE DESIGNATED AREA STATED ON THE STRUCTURAL DRAWINGS. THE WEIGHT OF MECHANICAL EQUIPMENT SHALL NOT EXCEED THE DESIGNED CAPACITY OF EXISTING STRUCTURAL FRAMING AND SHALL BE APPROVED BY A STRUCTURAL ENGINEER.
3. THESE DETAILS ARE BEING PROVIDED AS A GUIDE. YOUR REGISTERED ARCHITECT OR ENGINEER MUST VERIFY AND SEAL THE DRAWINGS AND DETAILS.

S-3	PROJECT	PIER PARK PANAMA CITY BEACH, FL. 32401	MANUAL COMP				
				REF.	BY	DATE	DESCRIPTION



NOTE: IF BRIDGING IS CUT BY DUCT OPENING ADD ADJACENT X BRIDGING TO REPLACE TYPICAL.

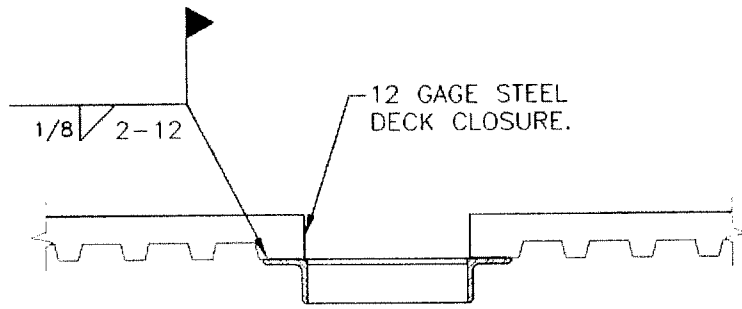
ROOF PLAN D

TYPICAL ROOF TOP EQUIPMENT SUPPORT DETAILS AND ROOF OPENINGS FRAMING.

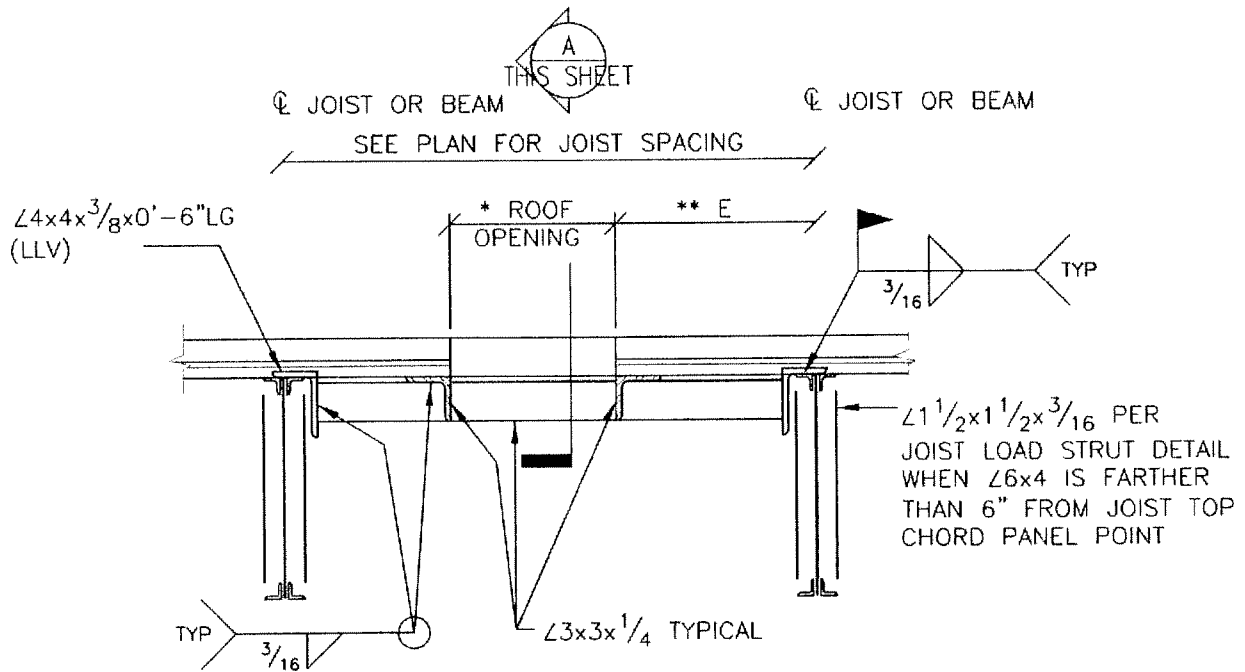
NOTES:

1. MECHANICAL CURB SHALL BE STRUCTURALLY ADEQUATE TO TRANSFER VERTICAL AND LATERAL LOADS TO THE ROOF JOISTS AND INSTALLED PER CURB MANUFACTURER RECOMMENDATIONS
2. MECHANICAL EQUIPMENT SHALL BE LOCATED IN THE DESIGNATED AREA STATED ON THE STRUCTURAL DRAWINGS. THE WEIGHT OF MECHANICAL EQUIPMENT SHALL NOT EXCEED THE DESIGNED CAPACITY OF EXISTING STRUCTURAL FRAMING AND SHALL BE APPROVED BY A STRUCTURAL ENGINEER.
3. THESE DETAILS ARE BEING PROVIDED AS A GUIDE. YOUR REGISTERED ARCHITECT OR ENGINEER MUST VERIFY AND SEAL THE DRAWINGS AND DETAILS.

S4	SCALE	DRAWN	PROJECT NO.	PIER PARK PANAMA CITY BEACH, FL. 32401	MANUAL COMP				
						REV	BY	DATE	DESCRIPTION



SECTION "A"



NOTES:

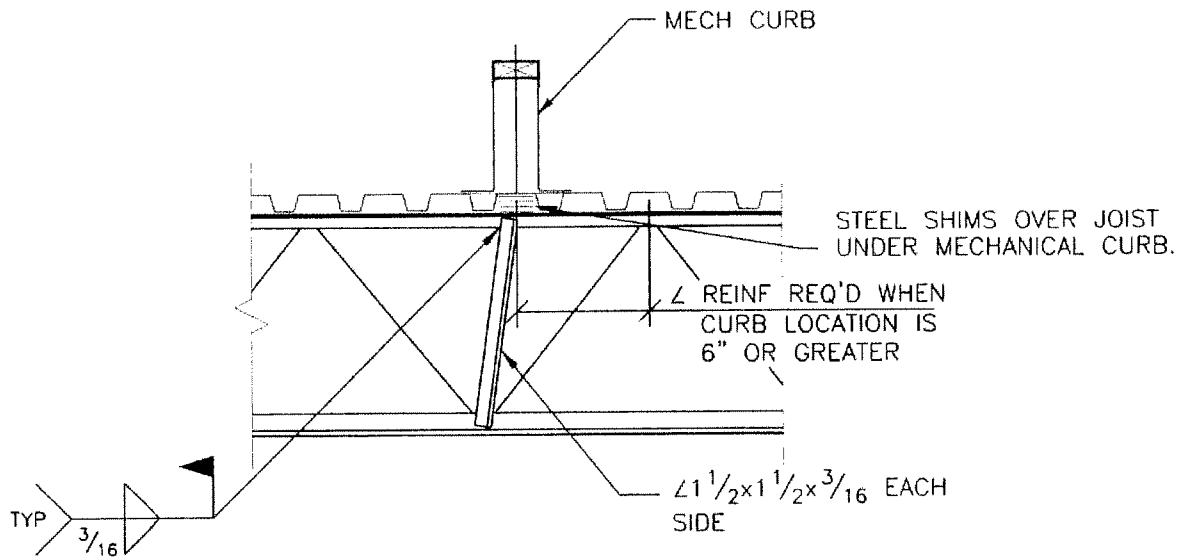
1. THESE DETAILS ARE BEING PROVIDED AS A GUIDE. YOUR REGISTERED ARCHITECT OR ENGINEER MUST VERIFY AND SEAL THE DRAWINGS AND DETAILS.
- * FOR ALL ROOF OPENINGS 12" OR GREATER COORDINATE W/ARCHITECT & MECHANICAL CONTRACTOR FOR OPENING SIZES & LOCATIONS.
REINFORCE OPENINGS LESS THAN 12" BY WELDING 18 GAGE SHEET METAL 12" WIDER THAN OPENING TO ROOF DECK.
- ** WHERE EDGE DIMENSION IS LESS THAN 6", ADJACENT $L3\frac{1}{2} \times 3\frac{1}{2}$ MAY BE OMITTED.

TYPICAL ROOF OPENING DETAIL

DETAIL



S-5	SHEET	DATE	DRAWN	CHECKED	PROJECT NO.	PROJECT	PIER PARK PANAMA CITY BEACH, FL. 32401	MANUAL COMP	REV	BY	DATE	DESCRIPTION



NOTES:

1. THESE DETAILS ARE BEING PROVIDED AS A GUIDE. YOUR REGISTERED ARCHITECT OR ENGINEER MUST VERIFY AND SEAL THE DRAWINGS AND DETAILS.

TYPICAL ROOF TOP
MECHANICAL UNIT SUPPORTS

DETAIL



9-6	DESIGNED BY	PIER PARK PANAMA CITY BEACH, FL. 32401	MANUAL COMP			
	CHECKED BY					
DRAWN BY						
SCALE						
PROJECT NO.						
DATE						
REV	BY	DATE	DESCRIPTION			