

BULLETIN

Permitting Tips

(11/10)

This bulletin is to make you aware of issues that have been identified by the City or other retailers and suggests Tenant's architect and engineer pursue further as it relates to Tenant's contract documents.

- Plans will need to be sent to both the Indiana Plan Review Branch of the Division of Fire and Building Safety and to the City of Noblesville in order to obtain a building permit. The City of Noblesville will not issue a permit until the State of Indiana does.
- You can submit to all agencies at the same time. Landlord approval **IS NOT** required to submit for a construction permit.
- The State of Indiana must issue a Construction Design Release (CDR) prior to the Noblesville Department of Planning and Development issuing the permit.
- Any changes made to the plans after CDR approval must be resubmitted to the state as an addendum and also submitted to the city. The city will not release the revised plans without the approved addendum from the state.
- Tenant plans must be kept current with construction. Failure to resubmit revisions will cause issue with inspectors, and Tenant will experience failed inspections.
- The State will automatically notify the City of Noblesville that they have approved your plans and can release your permit.
- The City of Noblesville will not release the permit until:
 1. Received State CDR approval.
 2. Received Health Department approval, if required.
 3. All fees are paid.

State of Indiana Review

The web site contains detailed information on the following:

1. Contact Information
 2. Electronic Filing Information
 3. Downloadable Applications
 4. Frequently Asked Questions
 5. Project Activity (Includes real time plan submissions and releases)
- Web site:

http://www.in.gov/dhs/fire/branches/plan_review/

City of Noblesville Review

- Submit plans to the Noblesville Department of Planning and Development to obtain the permit.
- Every sheet must be signed and wet sealed by an Architect and Engineer licensed in Indiana.
- Submit a copy of the State Release.
- A key plan highlighting the exact location of the space within the development is acceptable for site plan submittal.
- A Letter of Commencement, on Tenant's corporate letterhead, signed by the Tenant's representative with the following specific use information outlined in the letter: Information requested must include number of employees, number of seats (restaurant), number of clients (health club or spa uses), etc. Use information shall be consistent with IDEM 327 Table 11-1. If the applicant is unclear as to the required information, contact Brian Gray, Department of Engineering (317-776-6330 or bgray@noblesville.in.us)
- Each plan review cycle, if re-submittal is required, is approximately 7 – 10 days.
- Comments from each review will be faxed back to the person that submitted the plans.
- Fire Department reviews plans submitted to the building department. A separate submittal is not required.
- Sprinkler shop drawings are not required for submittal, but must be submitted prior to first inspection.
- General contractor's information and signature required on application.
- For more detailed information visit the web site or contact:

Noblesville Department of Planning and Development
16 S. 10th Street, City Hall
Noblesville, Indiana 46060
317-776-6325

<http://www.cityofnoblesville.org/planning>

Note: All applications/ forms are available on line

-
- **IF APPLICABLE:** Health Department submittal is separate from the city submittal.
 - You can submit to the Health Department at the same time you submit to the city; however, the city will not release the building permit without approval from the health department.
 - For more detailed information contact:

Hamilton County Health Department
317-776-8500

- Separate Sign Permit application needs to be filled out. This takes 5-7 days for review. Paperwork needed is outlined on City of Noblesville website. **Landlord stamped approved sign drawings are required** prior to submission to the city.
- Grease interceptors – The city of Noblesville will only allow grease traps outside the space. The city requires a 1000 gallon minimum trap. They test them annually. Refer to the City's website to obtain the Grease Interceptor Sizing Worksheet.

Hamilton Town Center
Noblesville, IN

- Duct Detectors

Per the Fire Marshall with the City of Noblesville, remote duct detector test switches are required for all required duct detector installation. The test switches can be grouped together in one location and/or mounted in a drop ceiling. All installations must conform to the manufacturer's recommendations.

Additionally, upon activation, the duct detectors are required to shut down the affected HVAC unit and send an audible and visible signal in a normally occupied area within the tenant space (if a fire alarm system is NOT present). If a fire alarm system is present, the duct detector shall send a supervisory signal to the fire alarm panel per the Hamilton Town Center Fire Alarm Matrix.

If the Test button assemblies also house the audible and visible functions, then the test switch locations will have to be installed in a "normally occupied area".

For additional information, please contact the Fire Marshall.

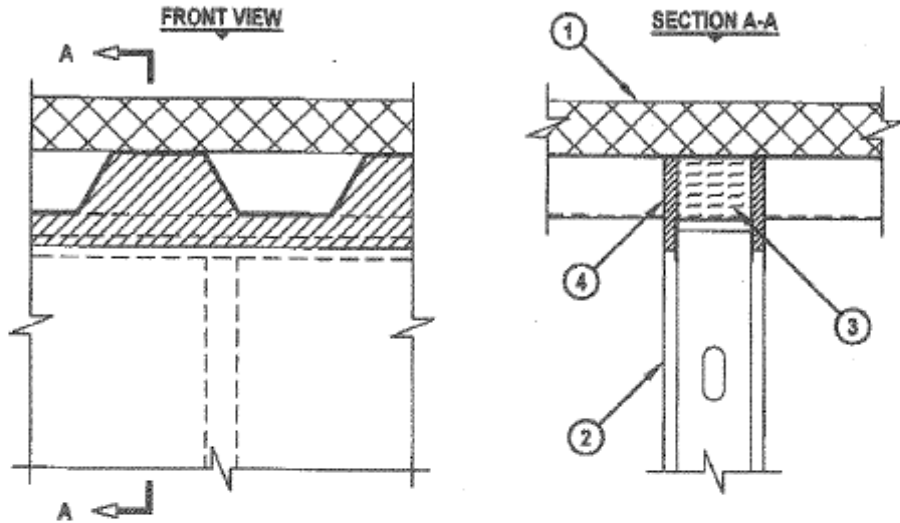
- Firestop Sealant

All Tenant Contractors are required to use the attached Firestop sealant by Hilti. This system is existing throughout the project and will need to be used to ensure a U.L. rated wall assembly project wide. Please keep an empty tube on the job site and the cut sheets for the Building Inspectors.

DH

ENGINEERING JUDGMENT FIRESTOP DETAIL

PROJECT : HAMILTON TOWN CENTER
CONTRACTOR : PEPPER CONSTRUCTION COMPANY
F-RATING = 1-HR. (SEE NOTE NO. 3 BELOW)



- 1. BUILT UP METAL ROOF DECK ASSEMBLY (NON FIRE-RATED).
- 2. GYPSUM WALL ASSEMBLY (UL/cUL CLASSIFIED) (1-HR. FIRE-RATING).
- 3. HILTI CP 777 SPEED PLUGS, RECESSED TO ACCOMMODATE SEALANT.
- 4. MINIMUM 5/8" DEPTH HILTI CP 606 FLEXIBLE FIRESTOP SEALANT.

NOTES : 1. MAXIMUM WIDTH OF JOINT = 1-1/2".
 2. T-RATING MAY NOT EQUAL F-RATING IN ACCORDANCE WITH UL 2079.
 3. FIRE-RATING OF ASSEMBLY IS ONLY AS GOOD AS PERFORMANCE OF METAL ROOF DECK UNDER FIRE CONDITIONS.
 4. MINERAL WOOL MAY BE COMPRESSED 50% AND INSTALLED IN PLACE OF HILTI CP 777.

THIS ENGINEERING JUDGMENT REPRESENTS A FIRESTOP SYSTEM THAT WOULD BE EXPECTED TO PASS THE STATED RATINGS IF TESTED.
 (REFERENCE : UL SYSTEM NO. HW-D-0045)

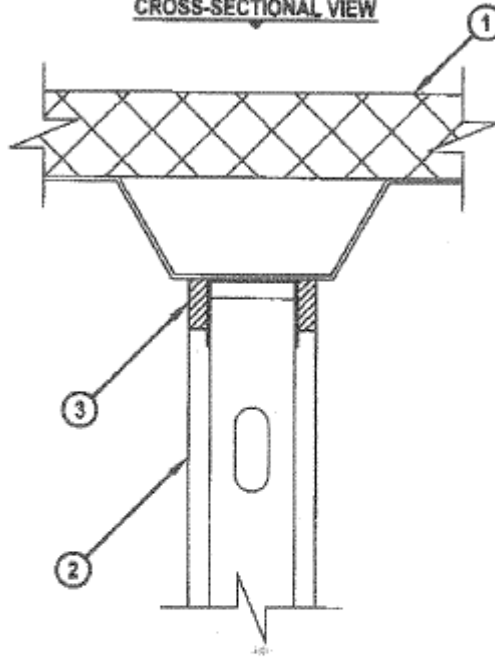
 Hilti Firestop Systems	HILTI, Inc. Tulsa, Oklahoma USA (800) 579-8000	Sheet	1 of 1	Drawing No.
	Designed by <i>Brett Littlefield</i>	Date	5/32" = 1"	Mar. 17, 2008
<i>Saving Lives through Innovation and Education</i>				

DH

ENGINEERING JUDGMENT FIRESTOP DETAIL

PROJECT : HAMILTON TOWN CENTER
CONTRACTOR : PEPPER CONSTRUCTION COMPANY
F-RATING = 1-HR. (SEE NOTE NO. 3 BELOW)


CROSS-SECTIONAL VIEW



- 1. BUILT UP METAL ROOF DECK ASSEMBLY (NON FIRE-RATED).
- 2. GYPSUM WALL ASSEMBLY (UL/cUL CLASSIFIED) (1-HR. FIRE-RATING).
- 3. MINIMUM 5/8" DEPTH HILTI CP 606 FLEXIBLE FIRESTOP SEALANT.

NOTES : 1. MAXIMUM WIDTH OF JOINT = 1-1/2".
 2. T-RATING MAY NOT EQUAL F-RATING IN ACCORDANCE WITH UL 2079.
 3. FIRE-RATING OF ASSEMBLY IS ONLY AS GOOD AS PERFORMANCE OF METAL ROOF DECK UNDER FIRE CONDITIONS.

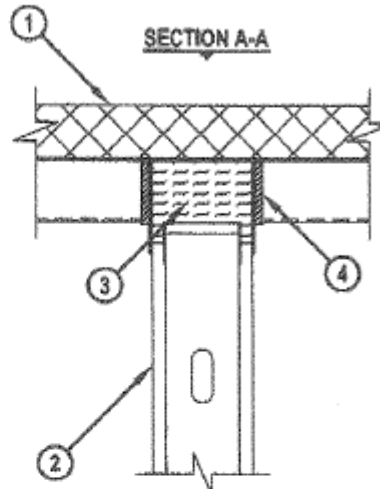
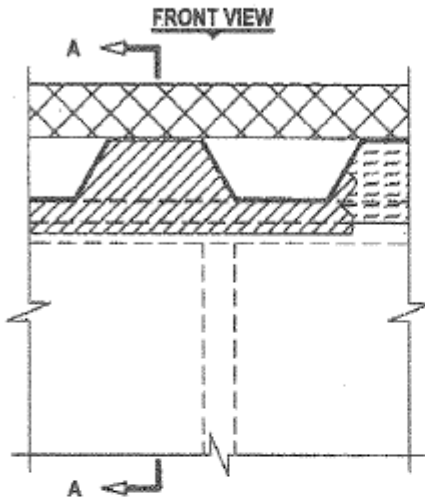
THIS ENGINEERING JUDGMENT REPRESENTS A FIRESTOP SYSTEM THAT WOULD BE EXPECTED TO PASS THE STATED RATINGS IF TESTED.
 (REFERENCE : UL SYSTEM NO. HW-D-0085)

 Hilti Firestop Systems	HILTI, Inc. Tulsa, Oklahoma USA (800) 879-8000	Sheet 1 of 1 Drawing No.
	Designed by <i>Brett Littlefield</i>	Scale 1/4" = 1"
	Date Mar. 17, 2008	90737a
<i>Saving Lives through Innovation and Education</i>		

DH

ENGINEERING JUDGMENT FIRESTOP DETAIL

PROJECT : HAMILTON TOWNE CENTER MALL
CONTRACTOR : MIDWEST FIRESTOP
F-RATING = 1-HR. (SEE NOTE NO. 3 BELOW)



- 1. BUILT UP METAL ROOF DECK ASSEMBLY (NON FIRE-RATED).
- 2. GYPSUM WALL ASSEMBLY (UL/cUL CLASSIFIED) (1-HR. FIRE-RATING).
- 3. MINERAL WOOL (MIN. 4 PCF DENSITY) COMPRESSED 50%, FLUSH WITH WALL SURFACES.
- 4. MINIMUM 1/8" (WET) THICKNESS HILTI CP 672 SPEED SPRAY TO COMPLETELY COVER MINERAL WOOL, OVERLAPPING MINIMUM 1/2" ONTO WALL AND METAL DECKING.

NOTES : 1. MAXIMUM WIDTH OF JOINT = 1".
 2. T-RATING MAY NOT EQUAL F-RATING IN ACCORDANCE WITH UL 2079.
 3. FIRE-RATING OF ASSEMBLY IS ONLY AS GOOD AS PERFORMANCE OF METAL DECKING UNDER FIRE CONDITIONS.

THIS ENGINEERING JUDGMENT REPRESENTS A FIRESTOP SYSTEM THAT WOULD BE EXPECTED TO PASS THE STATED RATINGS IF TESTED.
 (REFERENCE : UL SYSTEM NO. HW-D-0042)



HILTI, Inc.
Tulsa, Oklahoma USA (800) 679-8000
Designed by *Eary R. Mann*

Sheet	1 of 1
Scale	5/32" = 1"
Date	Mar. 20, 2008

Drawing No.
91482a

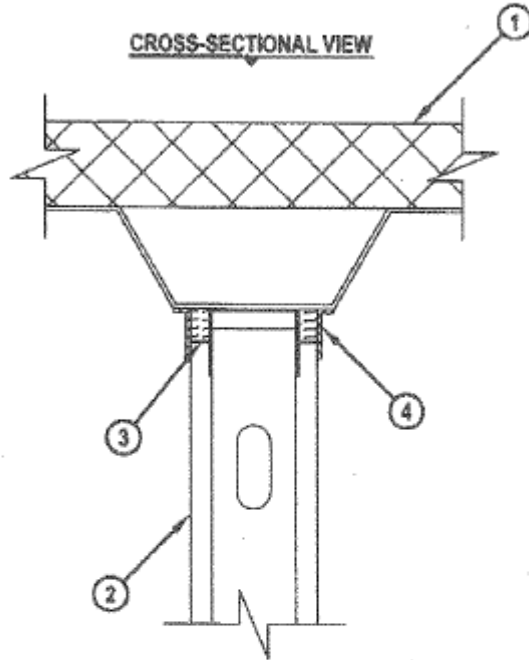
DH

ENGINEERING JUDGMENT FIRESTOP DETAIL

PROJECT : HAMILTON TOWNE CENTER MALL

CONTRACTOR : MIDWEST FIRESTOP

F-RATING = 1-HR. (SEE NOTE NO. 3 BELOW)



- 1. BUILT UP METAL ROOF DECK ASSEMBLY (NON FIRE-RATED).
- 2. GYPSUM WALL ASSEMBLY (UL/cUL CLASSIFIED) (1-HR. FIRE-RATING).
- 3. MINERAL WOOL (MIN. 4 PCF DENSITY) COMPRESSED 50%, FLUSH WITH WALL SURFACES.
- 4. MINIMUM 1/8" (WET) THICKNESS HILTI CP 672 SPEED SPRAY TO COMPLETELY COVER MINERAL WOOL, OVERLAPPING MINIMUM 1/2" ONTO WALL AND METAL DECKING.

NOTES : 1. MAXIMUM WIDTH OF JOINT = 1".
 2. T-RATING MAY NOT EQUAL F-RATING IN ACCORDANCE WITH UL 2079.
 3. FIRE-RATING OF ASSEMBLY IS ONLY AS GOOD AS PERFORMANCE OF METAL DECKING UNDER FIRE CONDITIONS.

THIS ENGINEERING JUDGMENT REPRESENTS A FIRESTOP SYSTEM THAT WOULD BE EXPECTED TO PASS THE STATED RATINGS IF TESTED.
 (REFERENCE : UL SYSTEM NO. HW-D-0049)



HILTI, Inc.
Tulsa, Oklahoma USA (800) 879-8000
Designed by *Greg R. Mann*

Sheet 1 of 1
Scale 1/4" = 1"
Date Mar. 20, 2006

Drawing No.
91483a

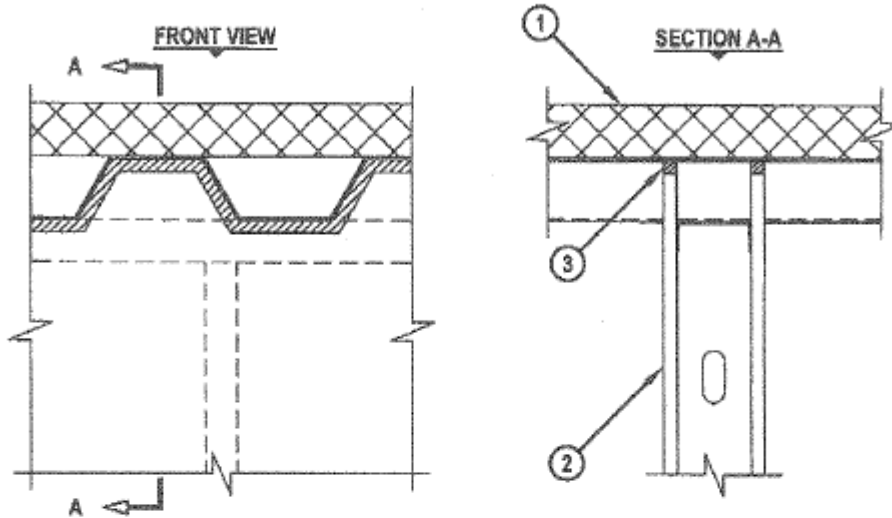
DH.

ENGINEERING JUDGMENT FIRESTOP DETAIL

PROJECT : HAMILTON TOWNE CENTER MALL

CONTRACTOR : MIDWEST FIRESTOP

F-RATING = 1-HR. (SEE NOTE NO. 3 BELOW)



- 1. BUILT UP METAL ROOF DECK ASSEMBLY (NON FIRE-RATED).
- 2. GYPSUM WALL ASSEMBLY (UL/cUL CLASSIFIED) (1-HR. FIRE-RATING).
- 3. MINIMUM 5/8" DEPTH HILTI CP 606 FLEXIBLE FIRESTOP SEALANT.

NOTES : 1. MAXIMUM WIDTH OF JOINT = 3/4".
 2. T-RATING MAY NOT EQUAL F-RATING IN ACCORDANCE WITH UL 2079.
 3. FIRE-RATING OF ASSEMBLY IS ONLY AS GOOD AS PERFORMANCE OF METAL DECKING UNDER FIRE CONDITIONS.

THIS ENGINEERING JUDGMENT REPRESENTS A FIRESTOP SYSTEM THAT WOULD BE EXPECTED TO PASS THE STATED RATINGS IF TESTED.
 (REFERENCE : UL SYSTEM NO. HW-D-0077)

 Hilti Firestop Systems	HILTI, Inc. Tulsa, Oklahoma USA (800) 879-8000	Sheet 1 of 1 Scale 1/8" = 1" Date Apr. 03, 2008	Drawing No. 91604a
	Designed by 		
	<i>Saving Lives through Innovation and Education</i>		

- Exterior emergency lighting is required at all exit doors. See specifications below:

The Noblesville's building department is requiring an emergency egress light fixture be placed above the storefront entrance doors.

The tenant is to furnish and install the fixture which must be tied into your existing emergency lighting system.

Attached are the Type E2 and Type E3 lighting fixture cut sheets for the emergency egress lighting.

Type E2 is to be used on storefronts that do not have a canopy.
Type E3 is to be used where a canopy occurs.

Type	Mnfr	Catalogue #	Lamping
E2	Lithonia	AFN-volt-finish-ext	xenon lamping
by mnfr			

Note: Finish: Tenant can pick the color that goes with their storefront. Standard colors are: W-White; B-Black; BN-Brushed nickel; BD-Dark bronze.

E3 (fixture)	Winona	PE-14-12V-LO-IVS-FO-SHO-C1	1-
35MRC16/FL36			

E3 (battery pack)	Lithonia	ELM 1272-RT-RO
--------------------------	-----------------	-----------------------

Note: Finish: Ivory. The remote battery pack for the Type E3 fixture should be located in an adjacent accessible ceiling within the tenant space.

The Type E2 and E3 fixtures will be normally off/emergency fixtures.

The tenant's electrical engineer is to verify quantity and locations as required.

Tenant or tenant's GC may contact Aaron McNeal at Kirby-Risk, (317) 687-0015 to purchase these fixtures.

Die-Cast Architectural Emergency Lighting Units

Affinity[®]



Intended Use:

Provides a minimum of 90 minutes illumination for the rated wattage upon loss of AC power. Ideal for applications requiring attractive unit equipment.

Features:

Compact, low-profile, architectural design with die-cast aluminum housing that has a contemporary brushed nickel-plated finish. Other available finishes are texturized polyester powder coat paint in white, black and dark bronze.

U.S. Patent No. D468,046.

Two 6W wedge-base xenon lamps offer 55 percent more light output than standard incandescent lamps.

Patent-pending reflector/refractor design features superior vac-metalized, die-casted reflectors and multi-faceted, highly transmissive refractor that significantly improve photometrics.

Maintenance-free lead-calcium battery (as a standard). Nickel-cadmium optional.

Dual-voltage input capability (120/277V).

Low-profile, integrated test switch/pilot light located below the lens.

Rigid conduit entry provision on top of the unit.

Remote version available for exterior use. Ideal for exit discharge applications.

Listings:

UL Listed. Wet location (EXT) listed. Damp location (PREM, EXT) listed. Cold Weather (EXT) listed. Meets UL 924, NFPA 101, NFPA 70-NEC and OSHA illumination standards.

Ordering Information

Example: AFN BN PREM

Finish	Input Voltage	Finish	Battery Package
AFN	(blank) 120/277V	W White B Black BN Brushed nickel DB Dark bronze	(blank) Features lead-calcium battery PREM Features nickel-cadmium battery, self-discharge and damp location 0° to 50°C (32° to 122°F) EXT Features high-temperature nickel-cadmium battery listed from -18° to 50°C (0° to 122°F), self-discharge, damp and wet location

NOTES:
 1. Die-cast housing may only be ordered with die-cast top package. This combination is available in other units.
 For fixture performance chart, see page 63.

Accessories (Order separately):
 ELA AFN 00 Remote fixture (less battery and electronics) to be powered by 6V battery equipment as part of an emergency lighting system (listed from -0°C to 60°C).



Width: 6-1/2" (165)
 Depth: 2-7/8" (80)
 Height: 9-1/2" (240)
 Weight: 3.5 lbs. (1.59 kg.)

Dimensions shown in inches (all dimensions unless otherwise noted).

Technical Application Data

Type	AC Input		Output		Surge Current (A/2hr)
	Volt	Watts	Volt	Watts	
AFN	120	11	11	11	12
	277	32	32	32	
AFN PREM	120	15	15	15	12
	277	34	34	34	
AFN EXT	120	15	15	15	12
	277	34	34	34	

Catalog No.: AFN-VOLT-FINISH-EXT

Date: 08/13/07

Lamp Type:
 XENON LAMPING
 BN MNFR.

Fixture Type:

E2



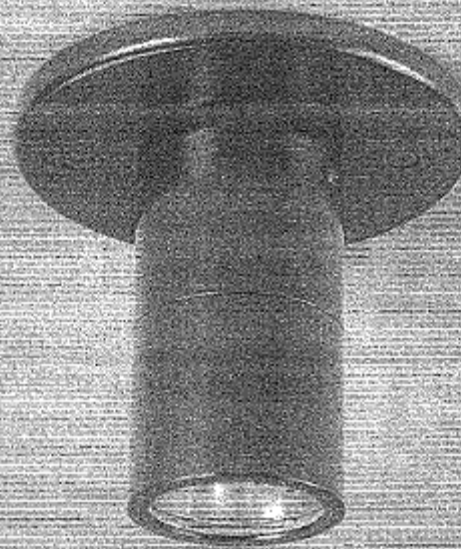
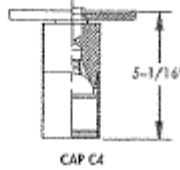
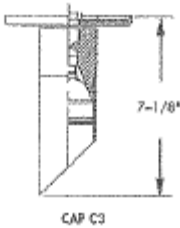
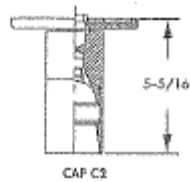
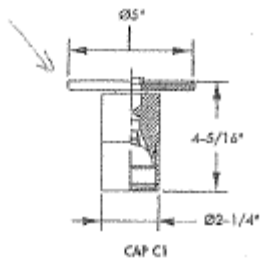
www.lithonia.com

The Lighting Practice, Inc.

PepinTM Series

12V, MR-16

Down Lighting



SHOWN IN BRZ FINISH WITH C1 CAP

CONSTRUCTION: Body, cap and mount assembly machined from 6061-T6 ALUMINUM. Lens rim from tempered borosilicate glass for superior clarity and strength. Cap and body are 120V, DALI, 35W with 1000h, SEW/1-250°C leads.

FINISHES: Available in 12 standard TGIC polyurethane powder coat finishes. Custom powder coat finishes available. (Contact factory for more info.)

FEATURES: Field replaceable lens. 600° for mounting up to 3 feet maximum. (Color filter / shielding can be specified in any cap style and will hold together as a veritable stainless steel dipstick.)

GENERAL: This fixture requires a 12V transformer or ballast. (Optional transformer may be purchased separately and accessories available.) (See 11D). All items listed are 12V MR-16's unless otherwise noted. Fixtures mount to any standard 1/2" x 1/8" x 1/2" hole bracket and stainless mounting screws.

MOUNTING OPTIONS:



UL LISTED

Wet Locations
Outdoor/35W

winona
LIGHTING

PE		12V							
1	2	3	4	5	6	7	8	9	
1. SERIES	PE - PEPIN TM	3. VOLTAGE	12V - 32 VOLT	4. ACCESSORY LENS	11- NONE 12- POLYARK 13- LENSEAR 14- SOFTENING	6. COLOR FILTER	FO- NONE FR- MERCURY VAPOR FB- RED FD- RED BICHROME FT- PINK FA- AMBER FG- GREEN FE- GREEN BICHROME FL- LIGHT BLUE FM- MID BLUE FN- MID BLUE TEXTURED	7. SHIELDING	SH- FRONT SH- HONEYCOMB LOUVER
2. LAMP	0- LAMP BY OTHERS 10- OSX/25W/12" MR-16 11- NAR/20W/10" MR-16 12- FRB/35W/12" MR-16 13- FRA/35W/12" MR-16 14- FAN/35W/10" MR-16			5. FINISH COLOR	BK- BLACK SMOOTH BT- BLACK TEXTURED BR- BRONZE SMOOTH BRF- BRONZE TEXTURED WH- WHITE SMOOTH WHT- WHITE TEXTURED SL- SILVER SMOOTH YS- CHS NS- NRS		8. CAP STYLE	C1- SHORT FLUSH C2- LAMP RECESSED C3- 45° CUTOFF C4- LONG FLUSH	
								9. SPECIAL	SD- STANDARD MOD- MODIFIED

Catalog No.: PE-14-12V-L0-
FINISH-FO-SHO-C1

Date: 11/29/07
Fixture Type:

Lamp Type:
1-35MR16/R3C

E3

The Lighting Practice, Inc.
P.113

Visit our website for complete specifications
Manufactured from Winona Lighting, 23760 W. Fourth Street, Winona



FEATURES & SPECIFICATIONS

INTENDED USE

Provides a minimum of 16 minutes illumination for rated wattage upon loss of AC power. Ideal for applications requiring attractive unit equipment with quick installation and unparalleled performance.

CONSTRUCTION

White, compact, low-profile contemporary design. Engineering-grade thermoplastic housing is impact-resistant, scratch-resistant and corrosion-proof. UL94V-0 flame rating. UV-stable resin resists discoloration from natural and man-made light sources. Two 9W wedge-base krypton lamps offer 40 percent more light output than the standard 9W incandescent lamps.

Patented MR24, multi-faceted reflector significantly improves photometric performance - 40 percent more light delivered to the path of egress.

Tool-less access for maintenance. Rigid conduct only on both top and sides on large units (ELM624, ELM1254, and ELM1272), and top only for small units (ELM610 and ELM627). Universal J-box mounting pattern.

Low-profile, integrated test switch/pilot light.

Unique track and swivel arrangement permits full range lamp-head adjustment.

US patent No. D-502,910. Patent-pending Quick-Mount for simple installation. Ceiling mount standard.

BATTERY

Sealed, maintenance-free lead-calcium battery standard.

Sealed, maintenance-free nickel-cadmium battery optional.

Automatic recharge after a 90-minute discharge.

Low-voltage disconnect prevents excessively deep discharge that can permanently damage the battery.

Single-circuit battery connection.

ELECTRONICS

Universal input voltage capability (120 through 277V, 50 or 60 Hz).

Current-limiting charger maximizes battery life and minimizes energy consumption. Provides low operating costs.

Short-circuit protection - current-limiting charger circuitry protects printed circuit board from shorts.

Thermal protection senses circuitry temperature and adjusts charge current to prevent overheating and charger failure.

Thermal compensation adjusts charger output to provide optimum charge voltage relative to ambient temperature.

Regulated charge voltage maintains constant-charge voltage over a wide range of line voltages. Prevents over/under charging that shortens battery life and reduces capacity.

Filtered charger input minimizes charge voltage ripple and extends battery life.

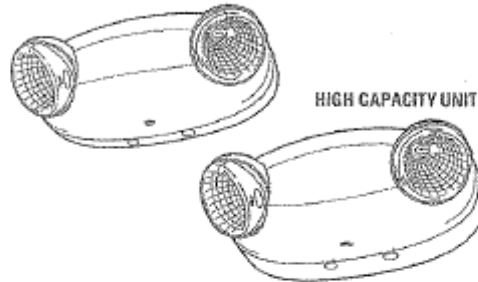
AC/DC reset allows battery connection before AC power is applied and prevents battery damage from deep discharge.

Catalog Number	
Notes	Type



Thermoplastic Emergency Light

ELM 6-12



HIGH CAPACITY UNITS

DIAGNOSTICS (SD option)

Single multi-chromatic LED indicator to display two-state charging, test activation and three-state diagnostic status.

Test switch provides manual activation of 30-second diagnostic testing for on-demand visual inspection. Self-diagnostic testing for five minutes every 30 days and 30 minutes bi-annually. Automatic test is easily postponed for eight hours by activating manual test switch. Diagnostic evaluation of lamp, AC to DC transfer, charging and battery condition. Continuously monitors AC functionality.

Load learning capability self-calibrates to DC load at first test, enabling it to detect a lamp failure on future tests. It may be recalibrated at any time by holding down the test switch for 15 seconds.

LISTING

UL Listed. Damp Location listing available. Meets UL 804, NFPA 101, NFPA 70-NEC and OSHA Illumination standards.

WARRANTY

Three-year total customer satisfaction warranty. For details, see the Product Selection Guide.

ORDERING INFORMATION

Example: ELM610 N SD

Family	Lamp type	Options*
ELM610 6V, 18W	8-Volt MR24 Composite	B Black housing ¹
ELM627 6V, 27W	(blank) 9W/9V krypton ²	M Maintenance-free ni-cad battery ³
ELM624 6V, 54W	H1206 12W/6V halogen ⁴	TD Time delay ⁵
ELM1254 12V, 54W	H2046 20W/6V halogen ⁶	RT Remote test ⁷
ELM1272 12V, 72W	12-Volt MR24 Composite ¹	SD Self-Diagnostics ⁸
	(blank) 9W/12V krypton	RO Less Heads ⁹
	H1212 12W/12V halogen	DL Damp Location ¹⁰ - 10° - 40°C (50°-104°F)
	H2012 20W/12V halogen	NOM NOM Certified ¹¹

*Options Availability Guide

Product	Size	SD ⁸	TD ⁵	RT ⁷	N ³	B ¹	DL ¹⁰	RO ⁹	NOM ¹¹
ELM610	S	☐	☐	☐	☐	☐	☐	☐	☐
ELM627	S	☐	☐	☐	☐	☐	☐	☐	☐
ELM624	L	☐	☐	☐	☐	☐	☐	☐	☐
ELM1254	L	☐	☐	☐	☐	☐	☐	☐	☐
ELM1272	L	☐	☐	☐	☐	☐	☐	☐	☐

NOTES:

- Available on ELM610, ELM627, and ELM624 only.
- Available on ELM610, ELM627, and ELM624 only.
- Available on EL
- Available on EL
- Available on EL
- Available on EL
- SD and TD for 1 with N option.
- RT not available

Accessories

Order as separate items.

- ELA LRT Remote test (base) for distances up to 15'
- ELA VSD Polycarbonate vandal shield (1/8" thick)
- ELA WG2M Wireguard
- ELA MR24 Compact MR24 remote lamp head
 - ELA MR24 K0606 (6W, 6V krypton)
 - ELA MR24 K0808 (8W, 6V krypton)
 - ELA MR24 H1206 (12W, 6V halogen)
 - ELA MR24 K0912 (9W, 12V krypton)
 - ELA MR24 H1212 (12W, 12V halogen)
 - ELA MR24 H2006 (20W, 6V halogen)
 - ELA MR24 H2012 (20W, 12V halogen)

Catalog No.: ELM 1272 - RT- Date: 11/29/07

RO

Lamp Type:

Fixture Type:

E3

Emergency

The Lighting Practice, Inc.
P.2/3

ELM 6-12 QUANTUM® Thermoplastic Emergency Light

SPECIFICATIONS

ELECTRICAL

Primary Circuit

Type	AC Input Volts	AC Input Amps	Max Watts	Output Volts	Watts Output 1-1/2hr.	2hrs.	3hrs.	4hrs.
ELM618	120	.167	5.2	6	18	13.5	9	3
	277	.072	5.6					
ELM627	120	.18	5.2	6	27	20	13.5	10
	277	.04	5.6					
ELM654	120	.250	7.4	6	54	40.5	27	20
	277	.108	7.4					
ELM1254	120	.258	11	12	54	40.5	27	20
	277	.108	11.1					
ELM1272	120	.290	11	12	72	54	36	27
	277	.108	11.1					

BATTERY

Nickel-Cadmium

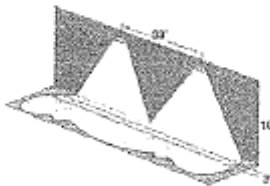
Voltage	Shelf life ¹	Expected life ²	Maintenance	Operating temperature ²
6/12	3 yrs.	10 yrs.	none ³	32°-160°F (0°-37.8°C)

Sealed Lead-Calcium

Voltage	Shelf life ¹	Expected life ²	Maintenance	Operating temperature ²
6/12	1 yr.	5-8 yrs.	none ³	60-96°F (16-32°C)

- As 77°F (25°C).
- Optimum ambient temperature range where unit will provide capacity for 90 to 95 minutes. Higher and lower temperatures affect life and capacity. Consult factory for detailed information.
- Periodic system status test recommended.

PERFORMANCE DIAGRAMS

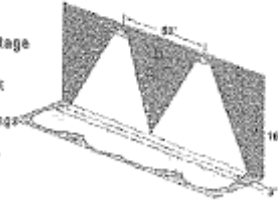


ELM12 Performance Advantage

- 12-volt, 9-watt krypton lamp
- Typical 10 foot mounting height delivers 33 foot center-to-center spacing
- 48% increase in center-to-center spacings over competitive 12-volt higher capacity emergency lighting units.

ELM6 Halogen Performance Advantage

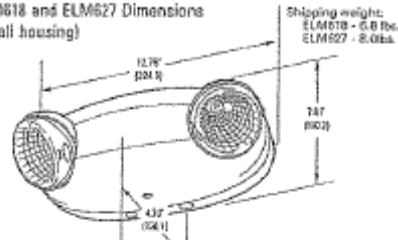
- 6-volt, 20-watt halogen lamp
- Higher mounting heights deliver 50+ foot center-to-center spacing
- 78% increase in center-to-center spacings over the highest wattage lamphead available from competitive emergency lighting units



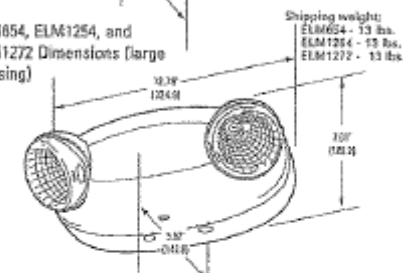
MOUNTING

All dimensions are in inches (millimeter).

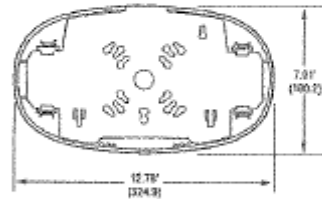
ELM618 and ELM627 Dimensions (small housing)



ELM654, ELM1254, and ELM1272 Dimensions (large housing)



ELM6-12 Backplate



Recommended Center-to-Center Spacing					
Lamp	7.5'	10'	12'	16'	20'
K9606	25'	N/A	N/A	N/A	N/A
K9906	25'	31'	29'	27'	29'
K9912	25'	33'	30'	25'	26'
H1212	N/A	31'	29'	39'	41'
H2006	N/A	35'	37'	52'	49'



An Acuity Brands Company

Sheet #: ELM 6-12

©2002 Acuity Brands Lighting, Inc. 01/02/07

Catalog No.: ELM1272-RT-

Date: 11/29/07

RO

Fixture Type:

Lamp Type:

E3

The Lighting Practice, Inc.
P.513