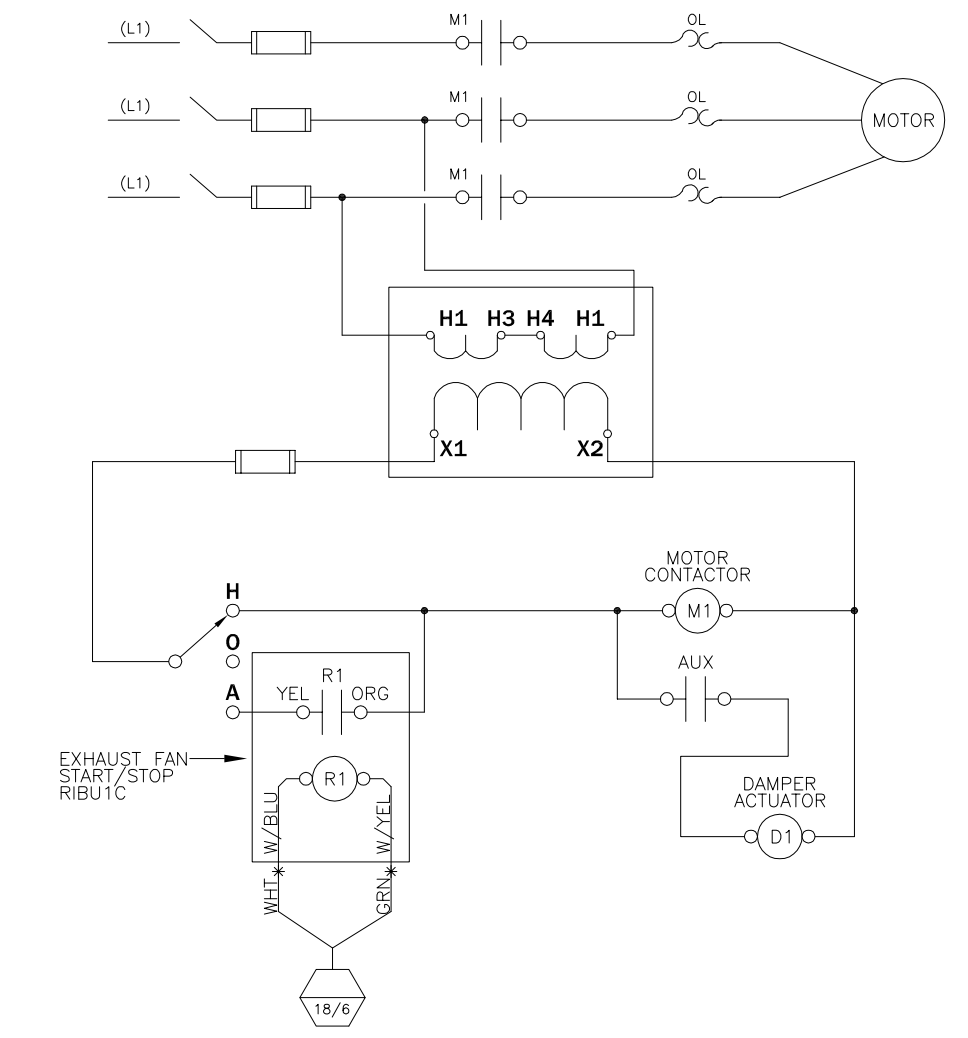


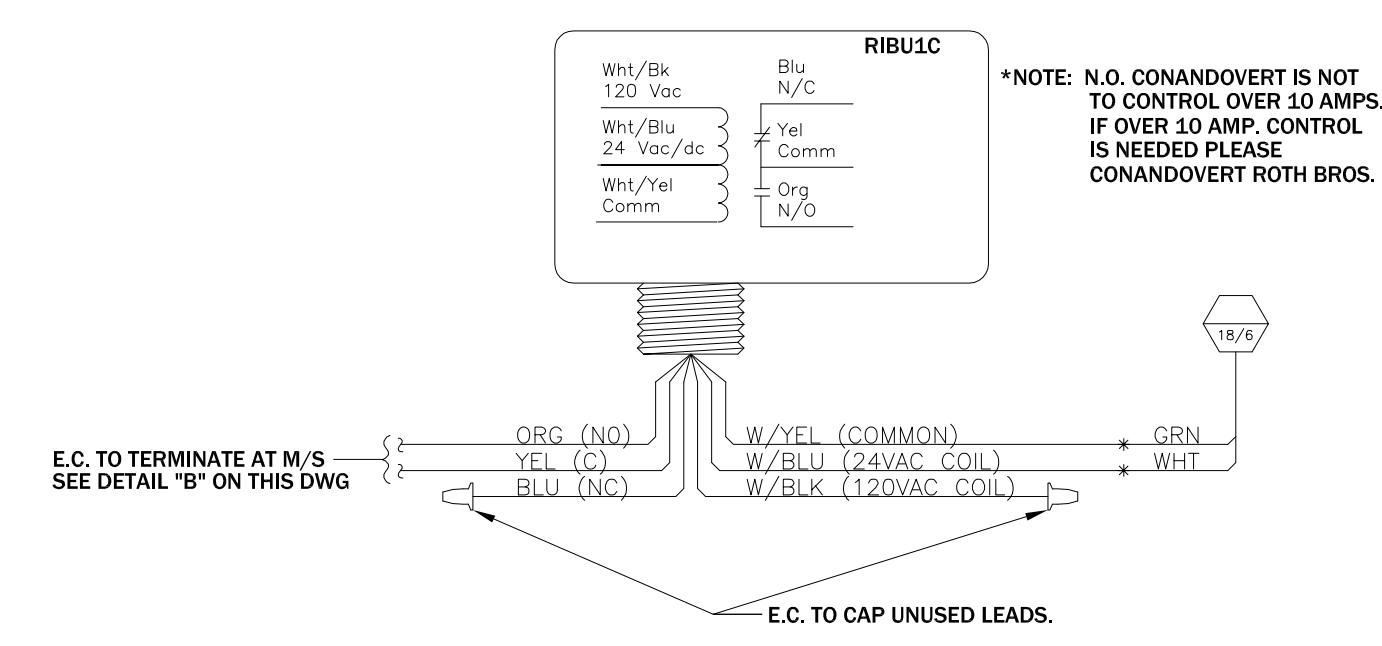
A TENANT EXHAUST FAN CUTAWAY
EMS



B TYPICAL TENANT EXHAUST FAN WIRING DETAIL
EMS

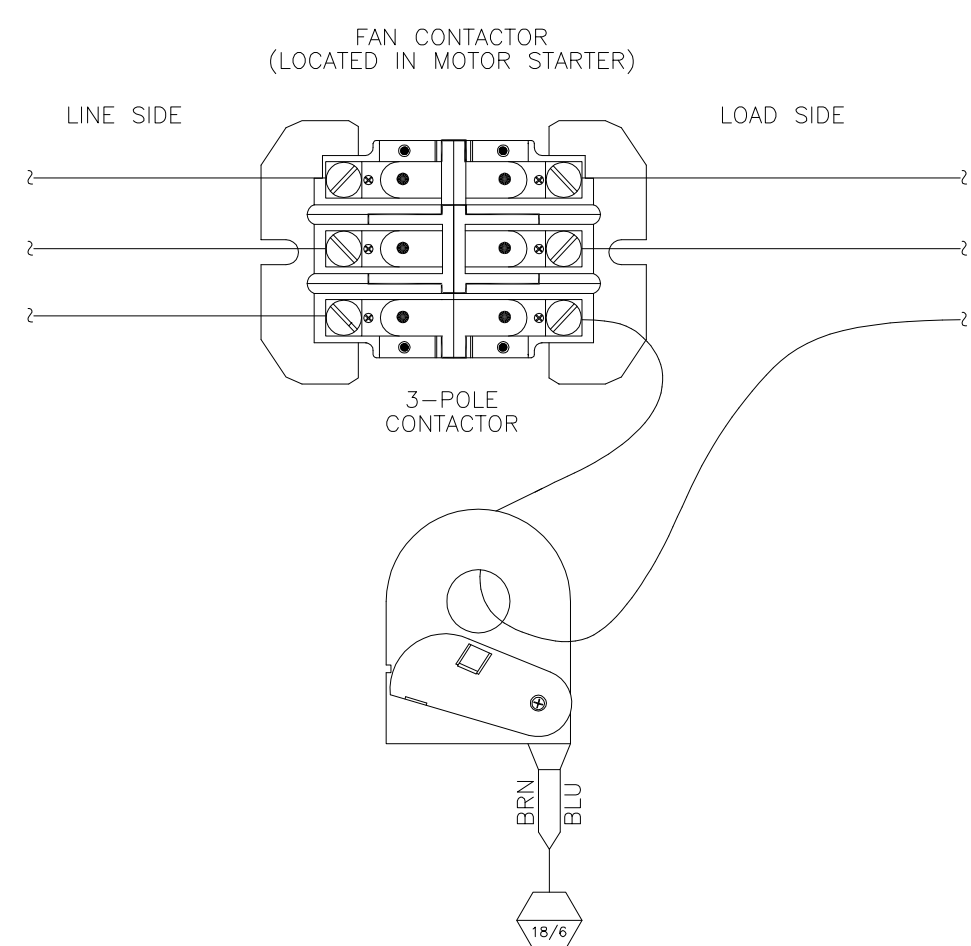
- DRAWING IS GENERIC IN NATURE
- E.C. TO FIELD VERIFY AND ASSEMBLE
- E.C. TO MOUNT RELAYS AT M/S
- E.C. TO PULL NEW CABLES/CONDUCTORS

2 - #18AWG CONDUCTORS TO ANDOVER INTERFACE PANEL



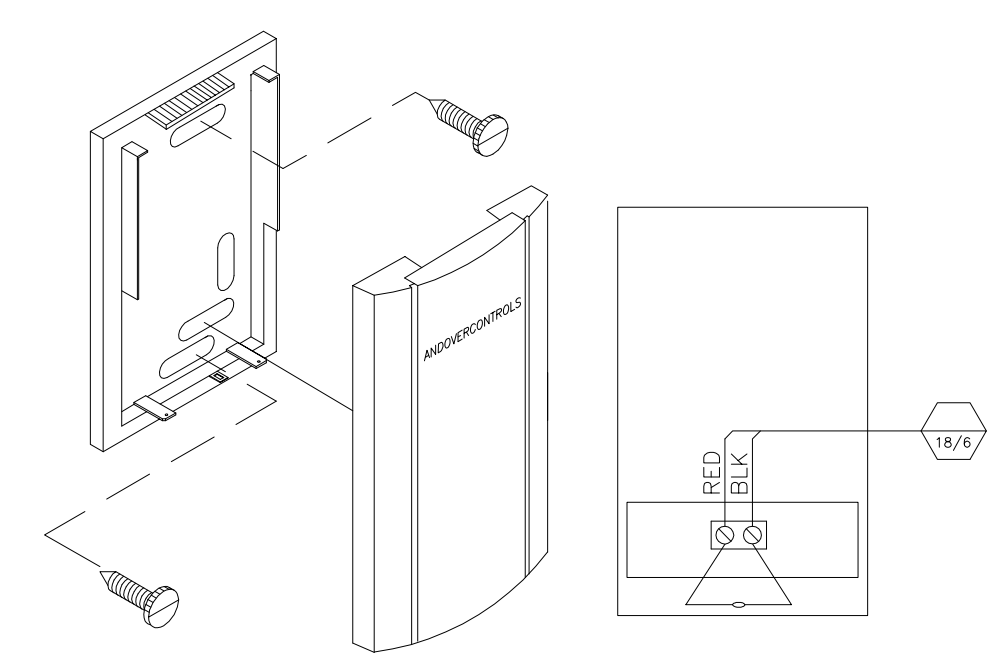
C CONTROL RELAY R1
EMS

- FUNCTIONAL DEVICE PART NUMBER RIBU1C
- RELAY PROVIDED BY ROTH BROS. INC.
- RELAY MOUNTED, WIRED, AND TERMINATED BY E.C.



D FAN STATUS CS SWITCH
EMS

- FUNCTIONAL DEVICE PART NUMBER RIBX1TF
- SENSOR PROVIDED BY ROTH BROS. INC.
- SENSOR MOUNTED, WIRED, AND TERMINATED BY E.C.



E SPACE TEMPERATURE SENSOR
EMS

- ANDOVER PART NUMBER TTS-6
- SENSOR PROVIDED BY ROTH BROS. INC.
- SENSOR MOUNTED, WIRED, AND TERMINATED BY E.C.
- SENSOR TERMINATED BY T.C.E.C.

REVISION:	DATE:	DESCRIPTION:
REVISION:	DATE:	DESCRIPTION:
REVISION:	DATE:	DESCRIPTION:
REVISION:	DATE:	DESCRIPTION:
REVISION:	DATE:	DESCRIPTION:

ROTH
a Sodexo company

ENERGY MANAGEMENT - HVAC SERVICE - ROOF MANAGEMENT - HVAC CONSTRUCTION
CORPORATE HEADQUARTERS: 3947 CRUM RD. • P.O. BOX 4209 • YOUNGSTOWN, OH 44515 • 1-800-USA-ROTH (872-7884)

SIMON QUAKER BRIDGE ENERGY MANAGEMENT SYSTEM	
150 QUAKER BRIDGE MALL RD LAWRENCEVILLE, NJ 08648	
TENANT EXHAUST FAN INTERFACE DETAIL	
DWN. BY: J.A.B.	CK. BY: P.B.
SCALE: N.T.S.	JOB NO: 202371
DATE: 07/27/12	DWG. NO: EMS